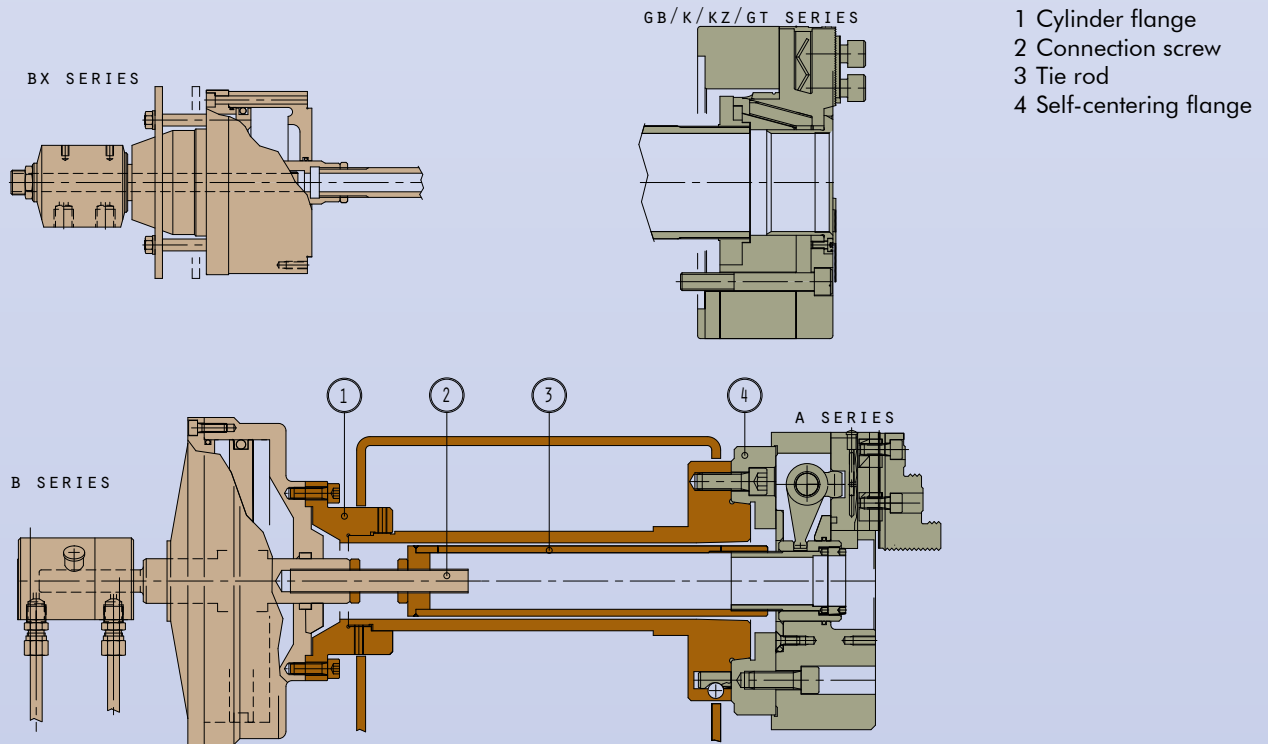


**DIAGRAM FOR PNEUMATIC ASSEMBLY**



**DIAGRAM FOR HYDRAULIC ASSEMBLY**

