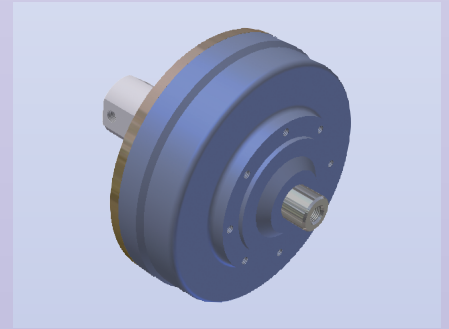


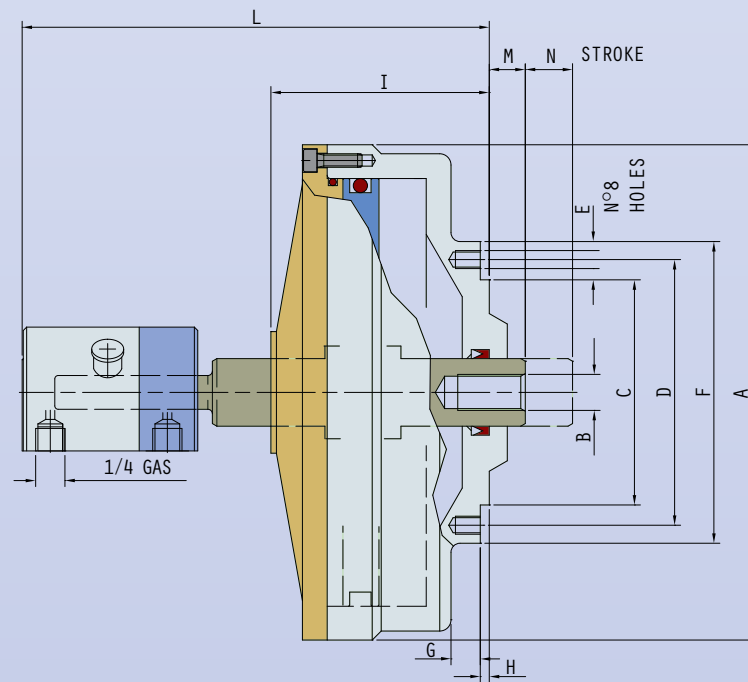
● **B Series**
Without bar passage

- Rotating pneumatic cylinder without bar passage
- Simple chamber double-acting
- Built-in distributor
- Stroke control option (see page 66)

The same cylinders can be supplied with safety valves (see page 66)



		BA	BB	BC	BD
Piston dia.	mm	102	155	190	250
Thrust section	cm ²	68	168	248	435
Max pressure	bar	7	7	7	7
Max speed	rpm	2500	2500	2000	1800
Weight	kg	2.3	5	9.7	14
Flange	Rif.	200	209	215	220



		BA	BB	BC	BD
A	mm	120	182	220	280
B	mm	M12x1.5	M16x1.5	M16x1.5	M16x1.5
C g6	mm	90	75	100	100
D	mm	110	96	118	118
E	mm	M6	M8	M8	M8
F	mm	—	116	134	145
G	mm	—	17	13	10
H	mm	3	4	4	4
I	mm	72	95	105	105
L	mm	168	195	214	214
M	mm	5	5	6	6
N	mm	13	19	21	21